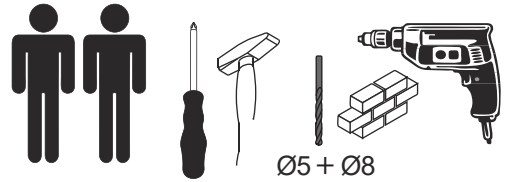
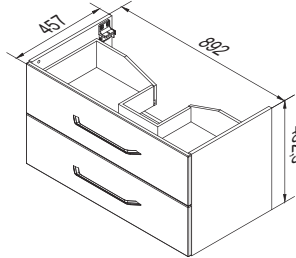
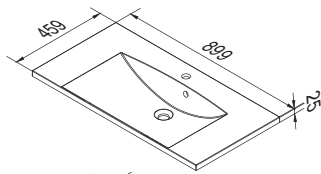


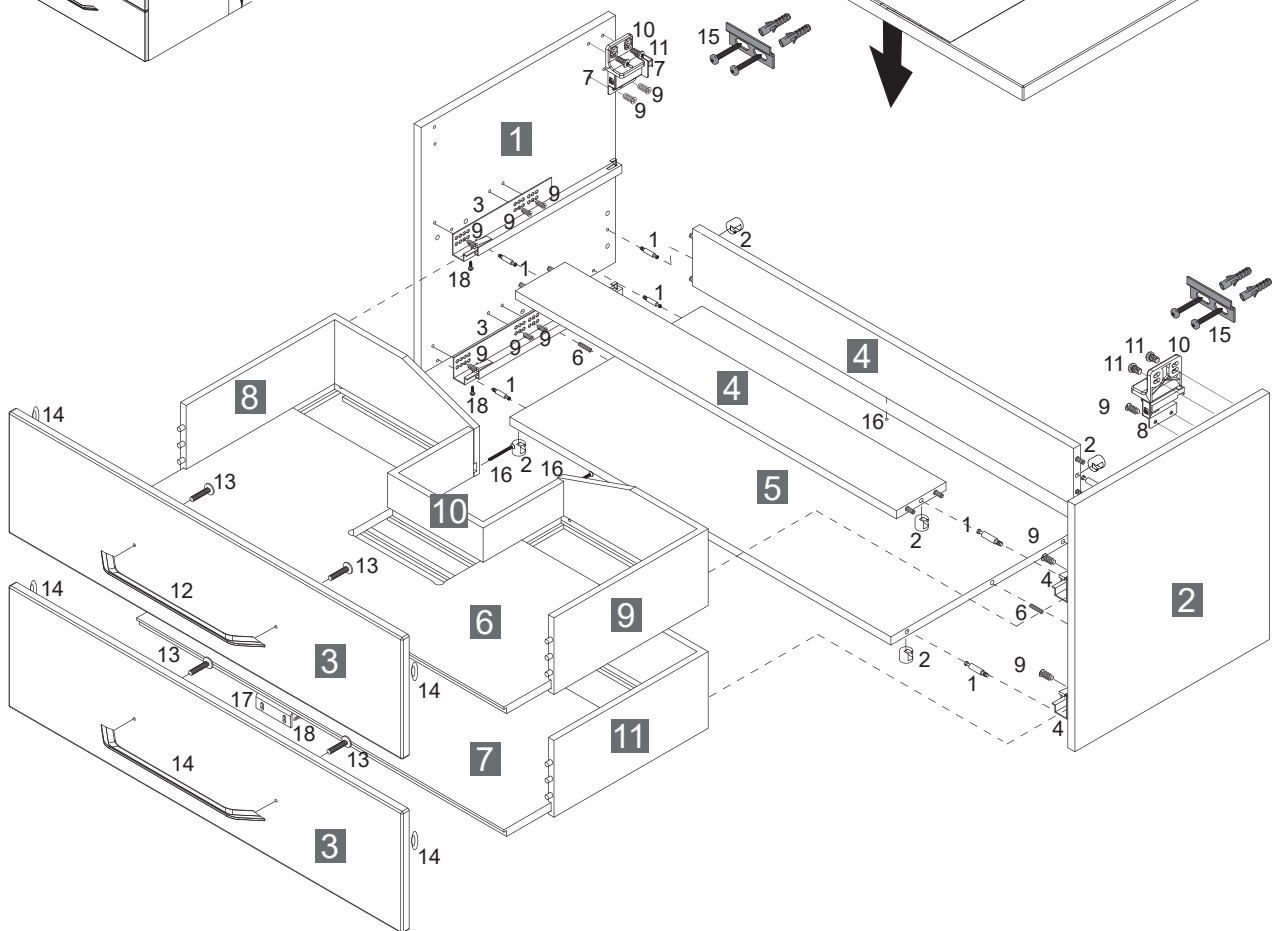
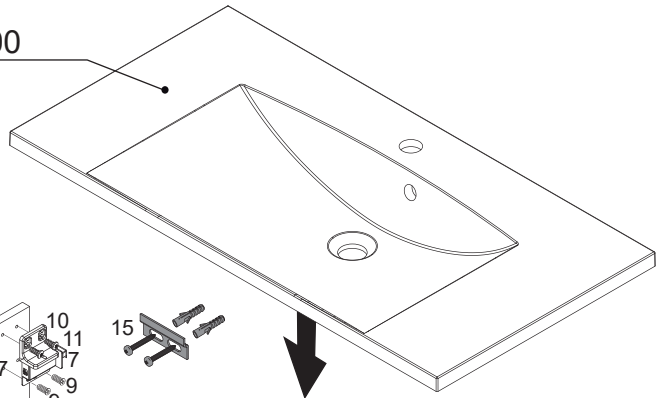
FACKELMANN®



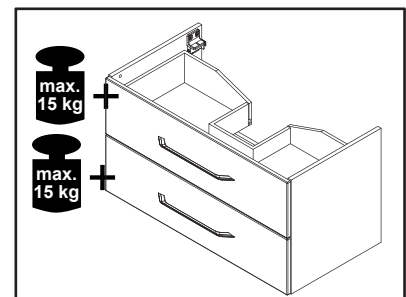
82913/6/7



83600



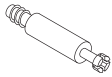

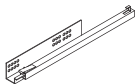
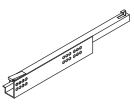

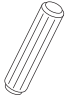
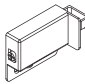
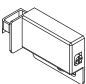

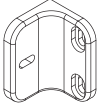


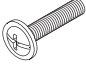

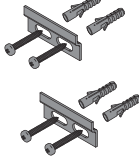

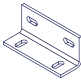

- | | | | |
|----------|--|-----------|------------|
| 1 | 2LSE829071 Ulme
2LSE829033 Weiß
2LSE829066 Esche | 7 | 2URS829139 |
| 2 | 2RSE829071 Ulme
2RSE829033 Weiß
2RSE829066 Esche | 8 | 4SZL829139 |
| 3 | 2XFS829171 Ulme
3XFS829133 Weiß
2XFS829166 Esche | 9 | 4SZR829139 |
| 4 | 2HQU720192 | 10 | 4SZS829039 |
| 5 | 2XQU829139 | 11 | 2SZA829139 |
| 6 | 2ORS829139 | | |



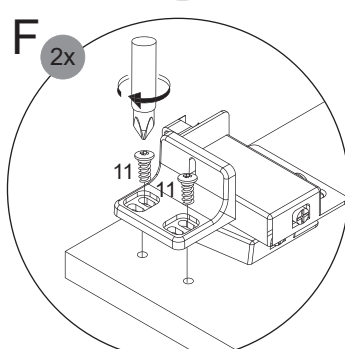
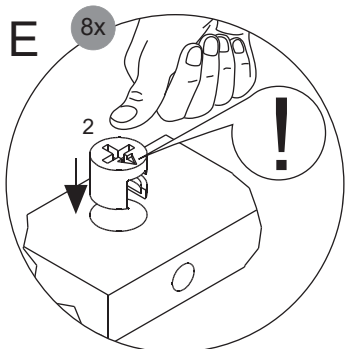
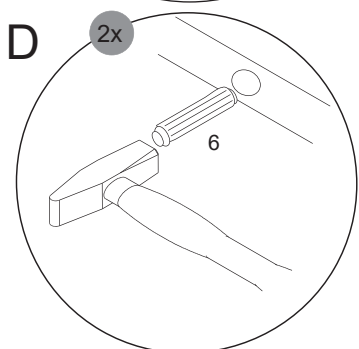
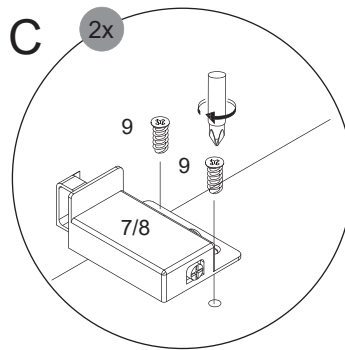
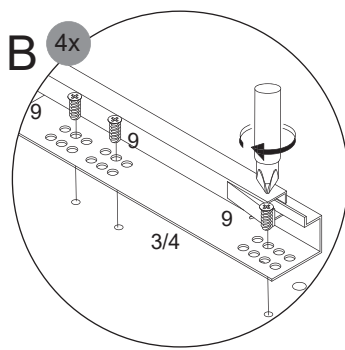
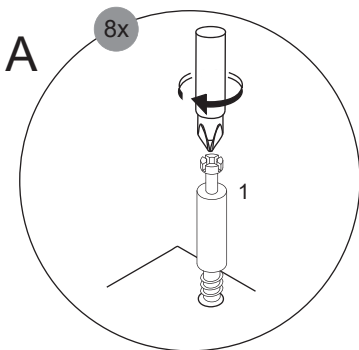
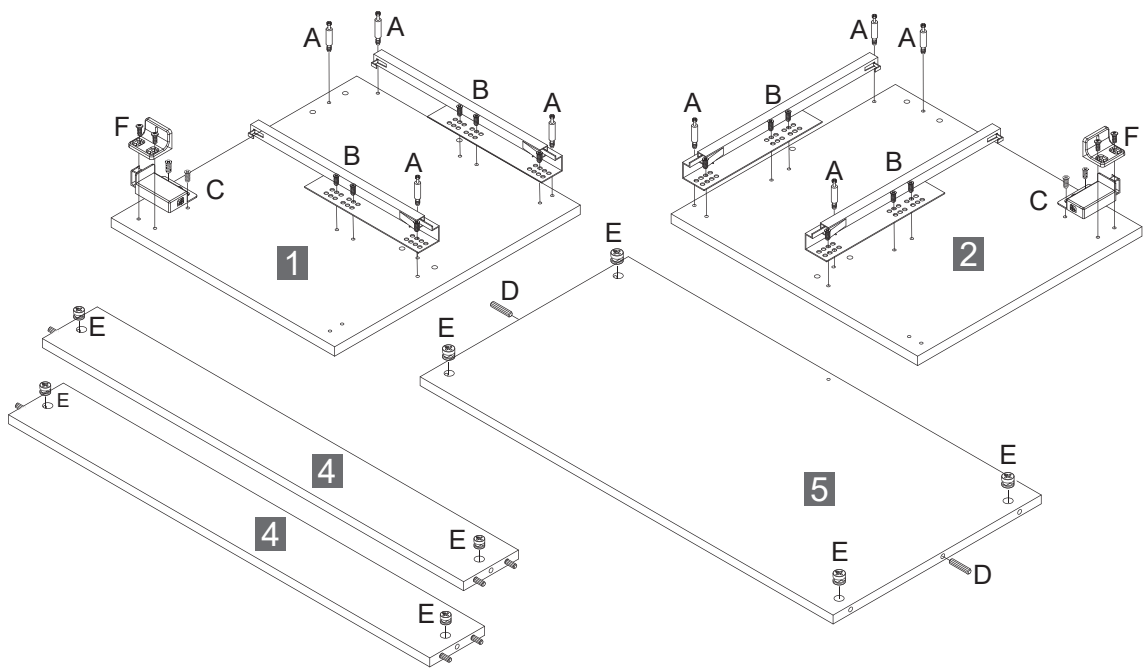
Alle Maßangaben sind ca.-Maße und können geringfügig abweichen.
All measurements are approximate and may vary slightly.

FACKELMANN® GmbH + Co. KG
Sebastian-Fackelmann-Str. 6
91217 Hersbruck • Deutschland
FAX: 09151/811-294
Servicetelefon: 09151/811-206
servicebm@fackelmann.de
www.fackelmann.de

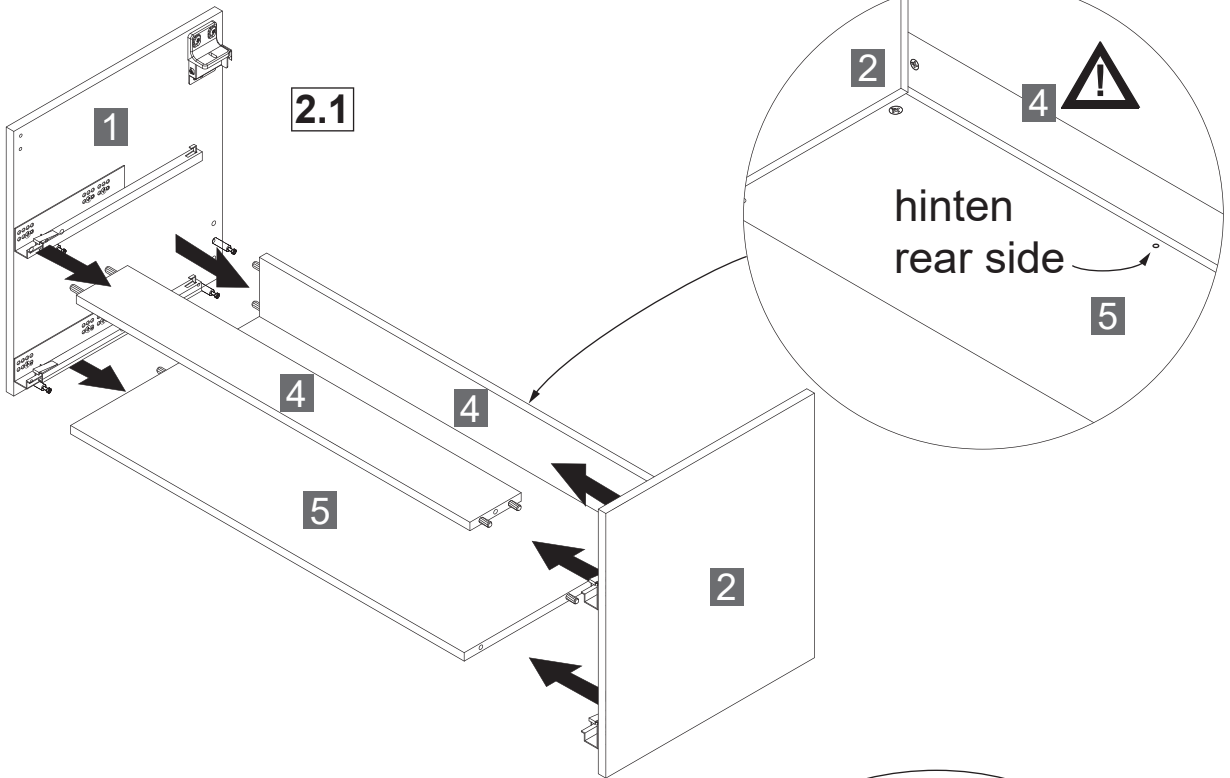
5BB0829130 S1 11/22

1	2	3	4	5	6	7	8	9
								
4BB1500001	4BB1515000	4BBKA35011	4BBKA35012	3KL1020900	4BD008X300	4BB84LI826	4BB84RE826	4SK6.3X130
8 x	8 x	2 x	2 x	3 x	2 x	1 x	1 x	16 x
10	11	12	13	14	15	16	17	18
								
4BW0899160	4SK6.3X160	4BB0829320	4FKM4.0X20	2BB268X1.6	4XBB81HDN2	3,5 x 40	4SK3.5X400	4BW5022160
2 x	4 x	2 x	4 x	4 x	1 x	4 x	2 x	12 x

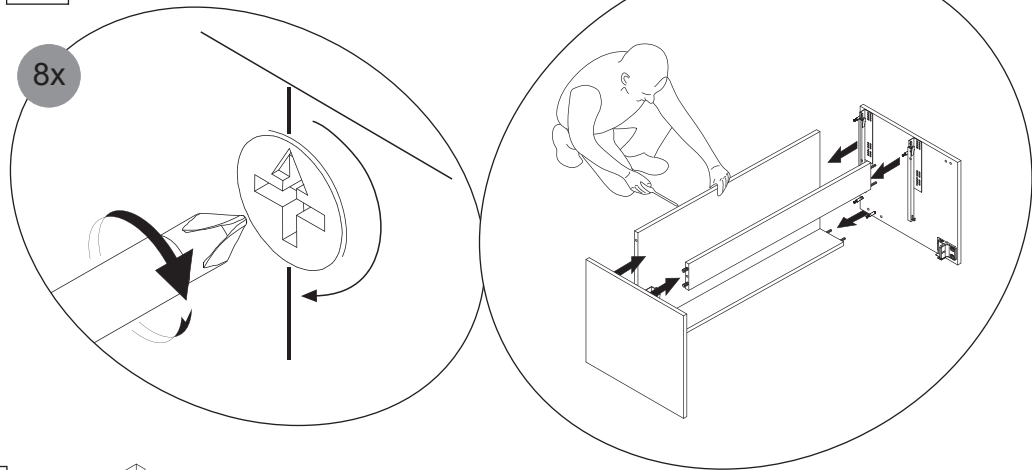
1



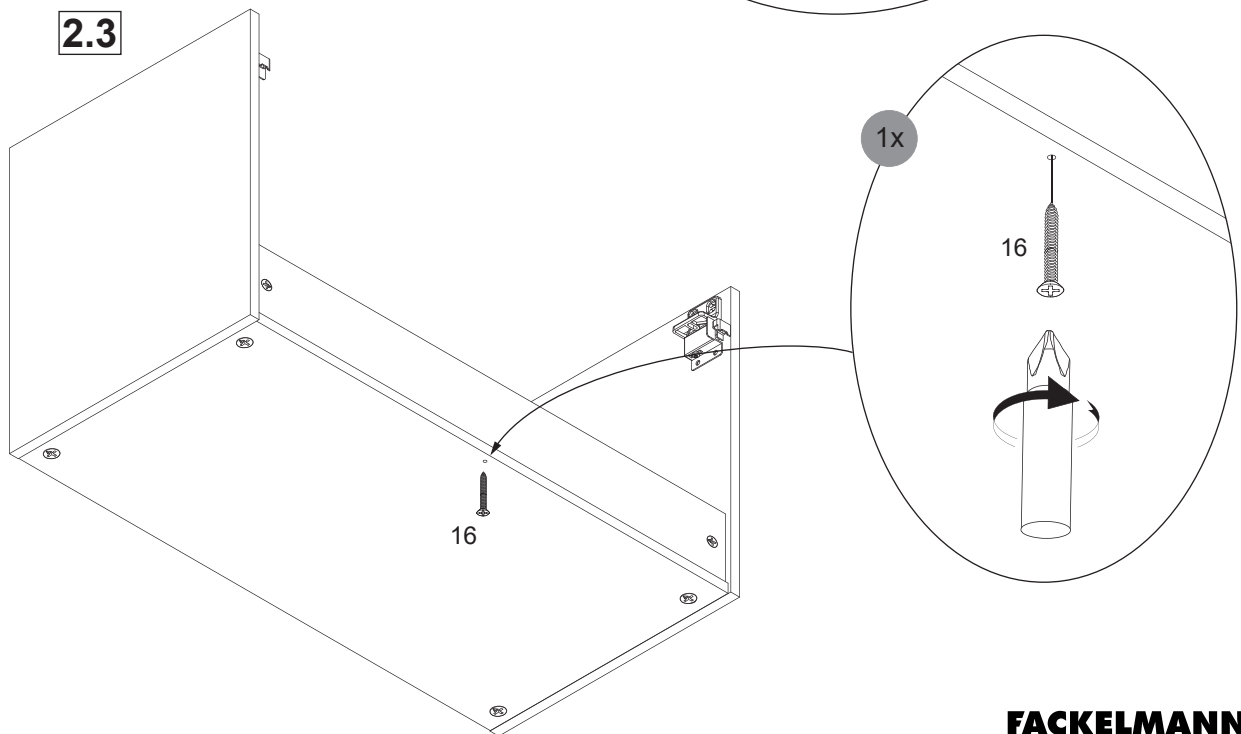
2



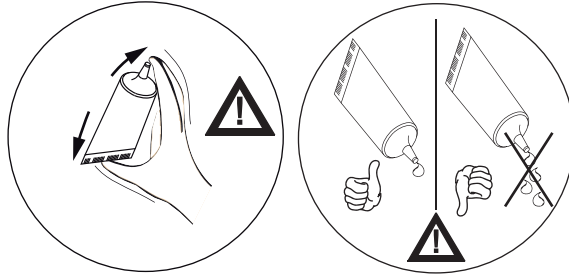
2.2



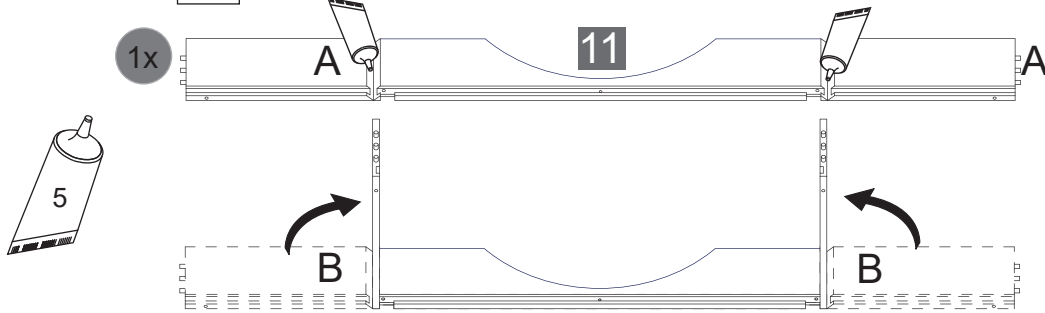
2.3



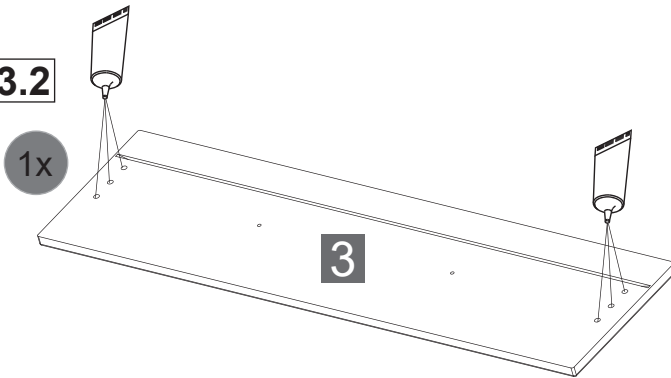
3



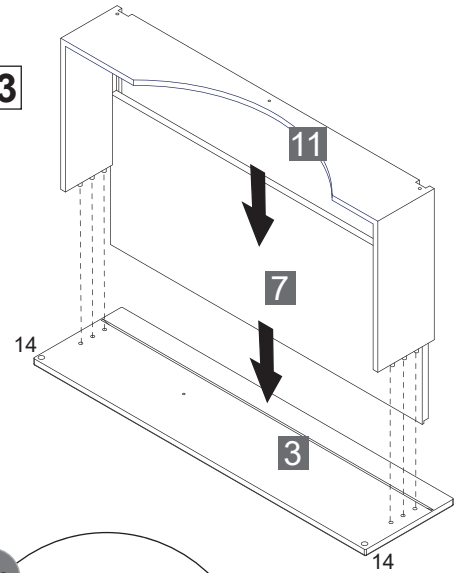
3.1



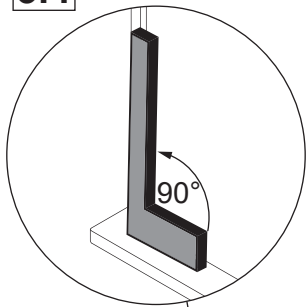
3.2



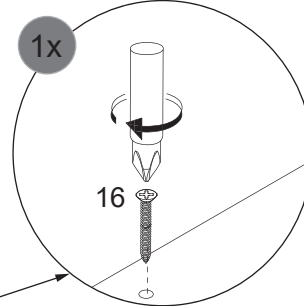
3.3



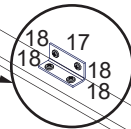
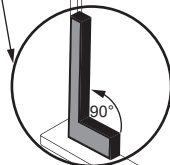
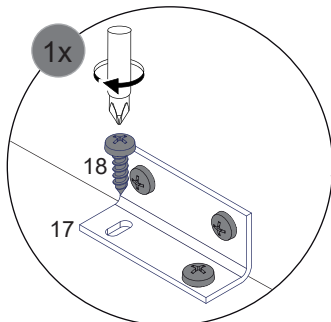
3.4



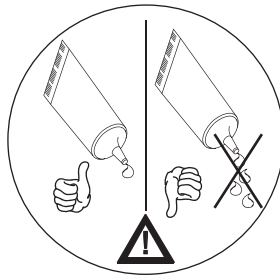
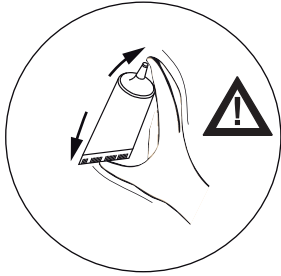
3.5



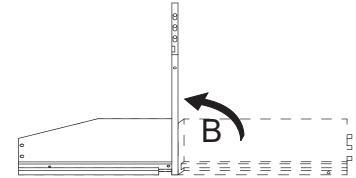
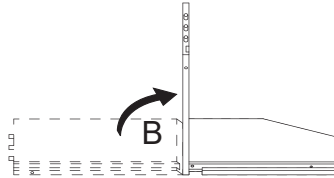
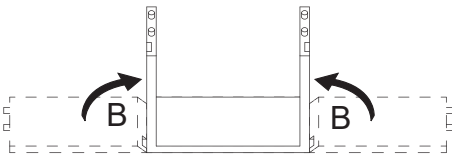
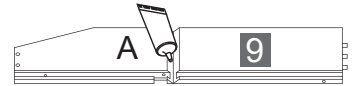
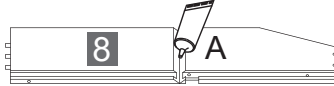
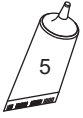
3.6



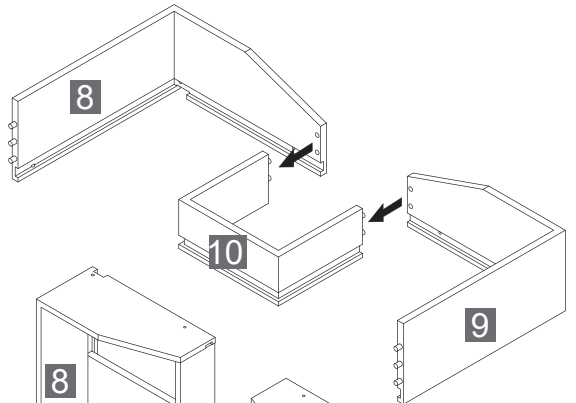
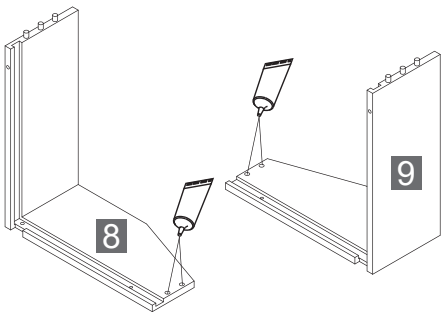
4



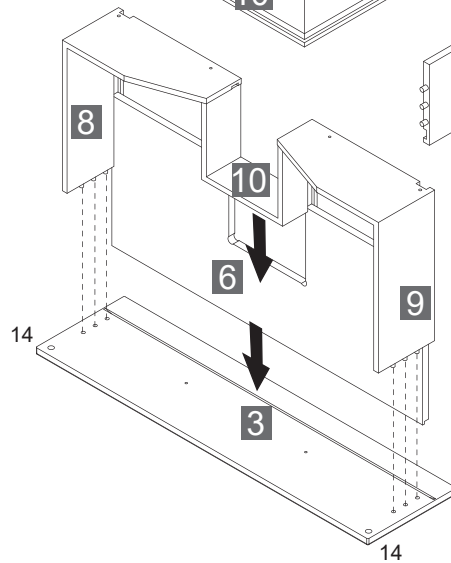
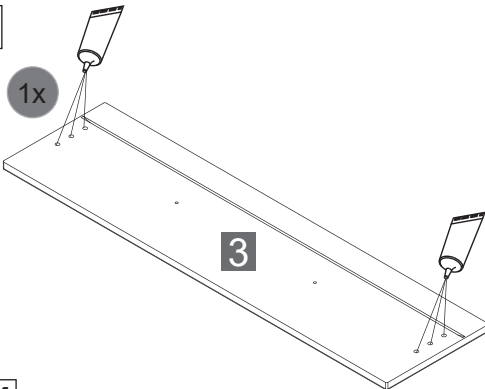
4.1



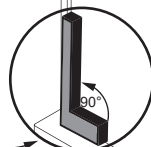
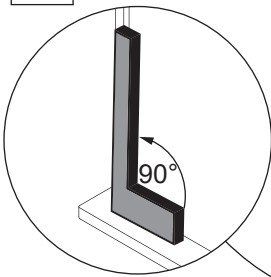
4.2



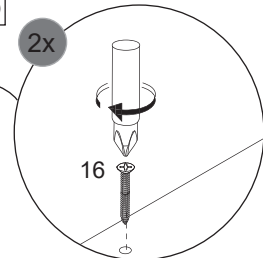
4.3



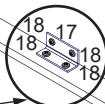
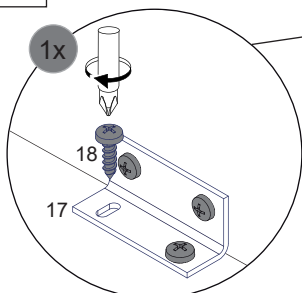
4.4



4.5

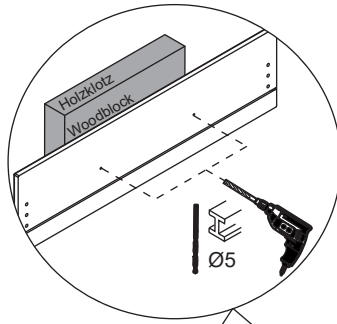


4.6

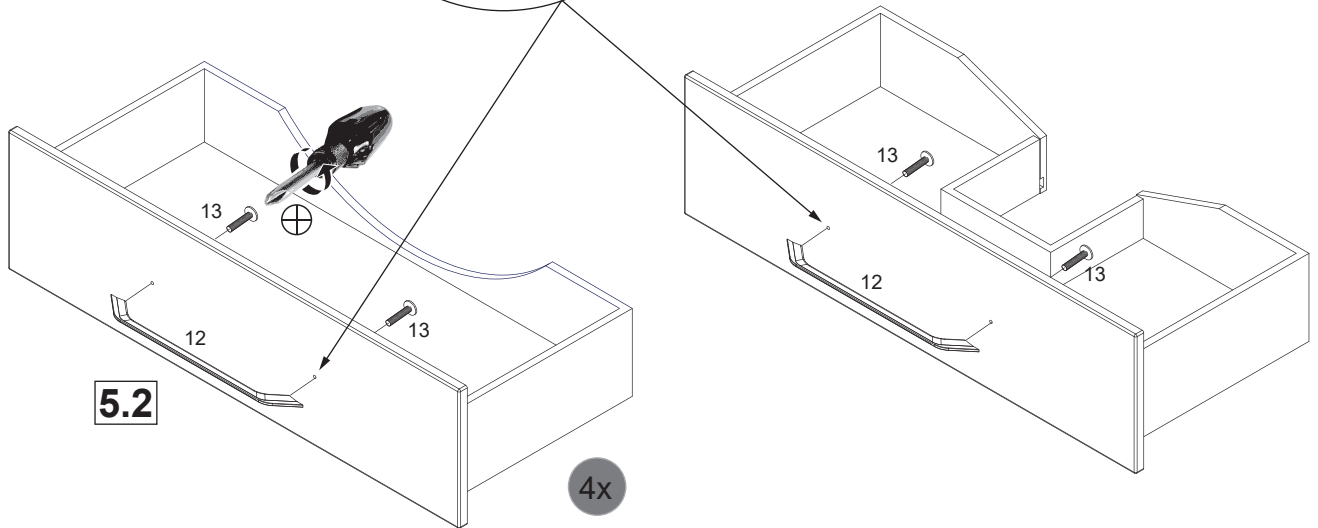


5

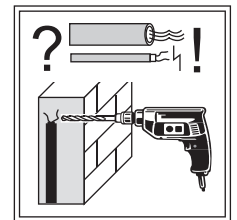
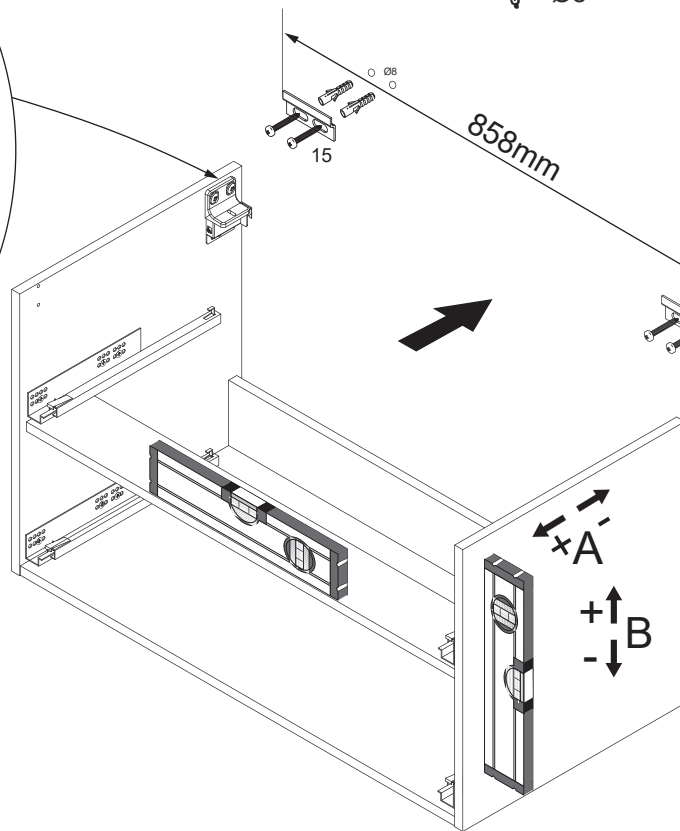
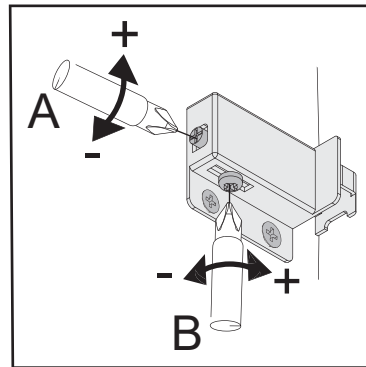
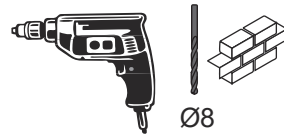
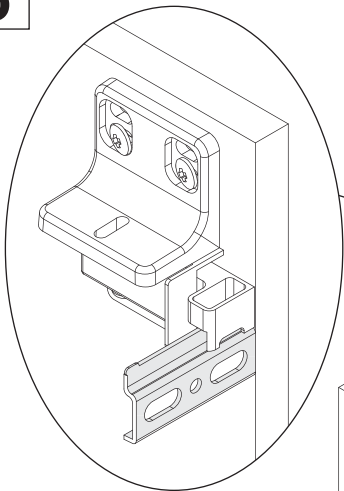
5.1



5.2



6



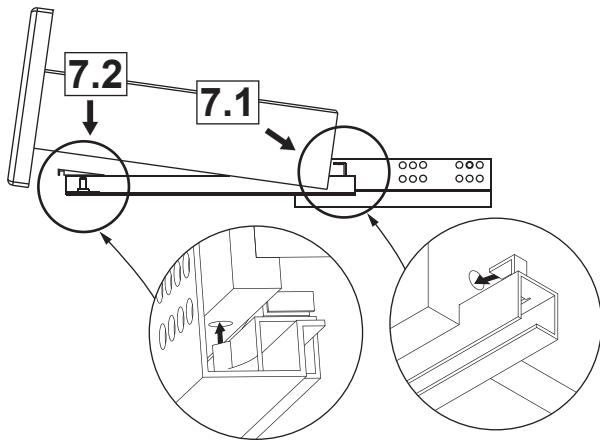
*OFF = Oberkante fertiger Fußboden
 *OFF = Top edge of finished floor



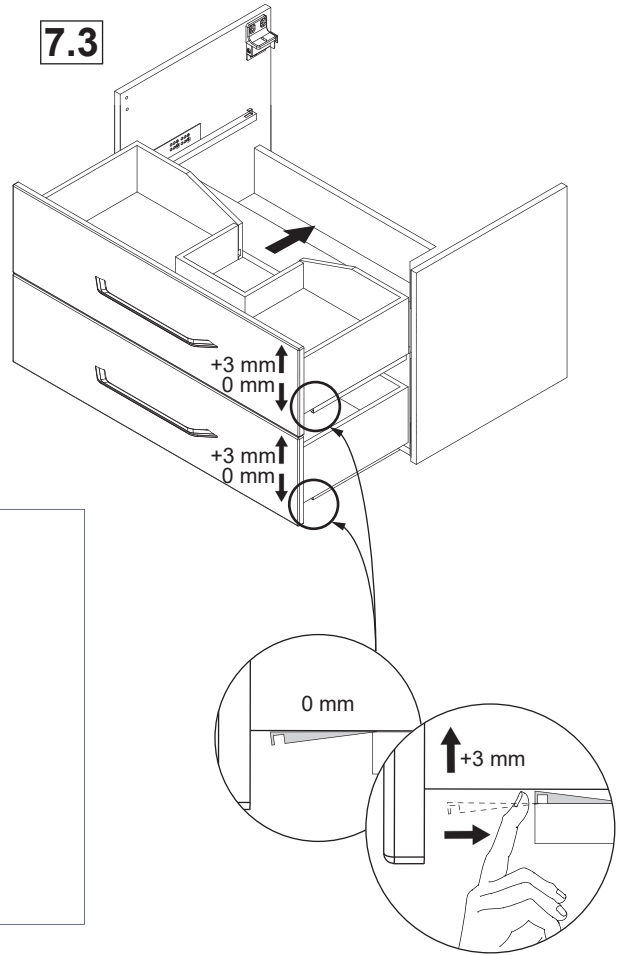
FACKELMANN®

5BB0829130 S6 11/22

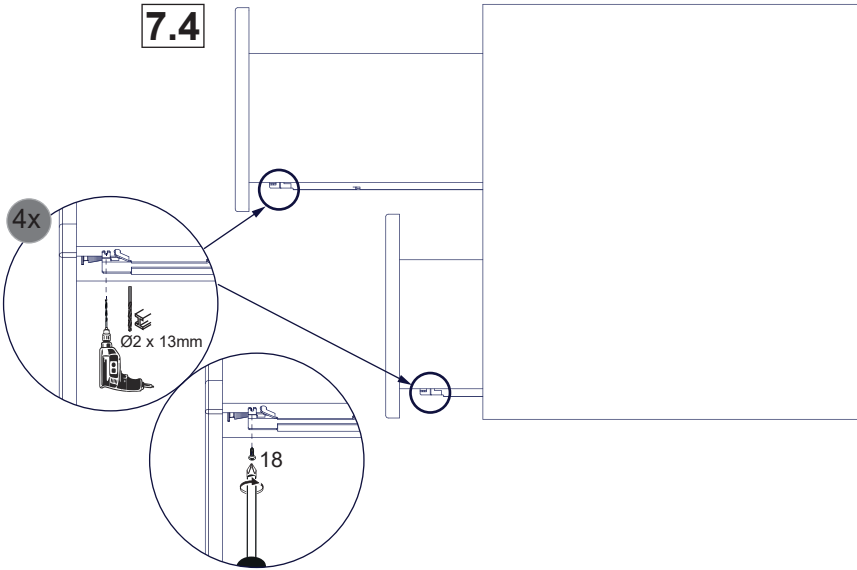
7



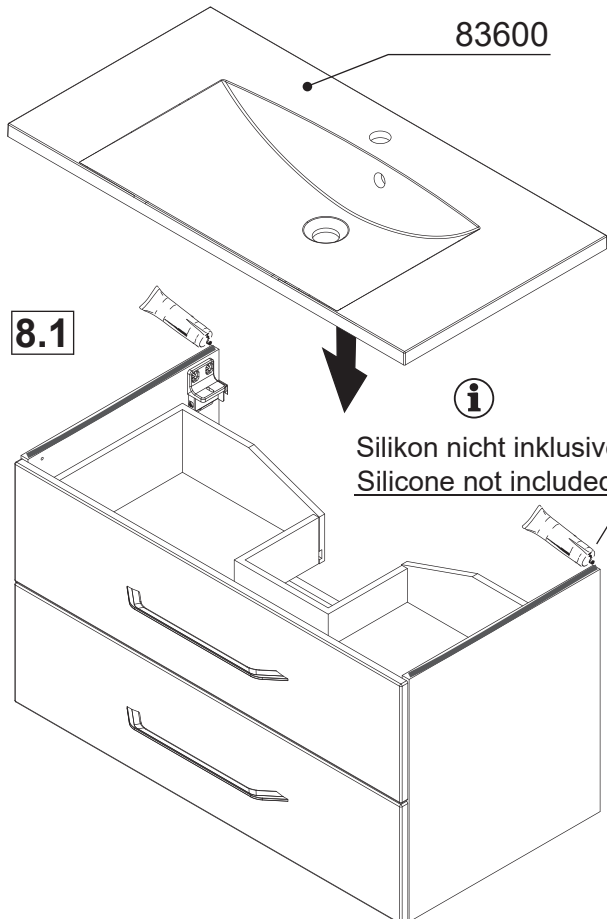
7.3



7.4



8



i
Silikon nicht inklusive
Silicone not included

8.2

